



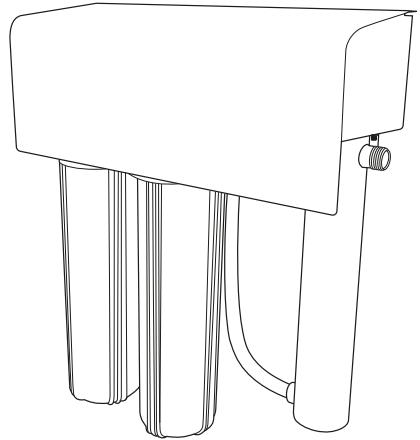
Puretec[®]
PERFECTING WATER

⚠ CAUTION

**DO NOT OVERTIGHTEN.
DO NOT USE
LIQUID SEALANTS.**



**SURGE PROTECTION
REQUIRED /
NO EXTENSION CORDS.**



User Guide

Hybrid Series

Filtration & Ultraviolet All-in-One Unit



WaterMark

WMTS103:2016
Certificate No. WM 74593
Australian Certification
Services

JUN2022

For correct operation & installation, it is essential to observe these instructions.

What's Inside

Puretec Customer Service	3
Introduction.....	3
Preparing Your System	4
Positioning Your System	5
Power Surge Protection.....	5
Installation Requirements	6
Initial Installation Procedure.....	8
Operation.....	12
Radfire UV Unit.....	12
Lamp Ballast Operation	12
Lamp Ballast Specifications.....	12
Lamp Ballast Diagram	13
Replacement Parts Guide	14
Cartridge Replacement Procedure.....	15
Lamp Replacement Procedure	16
Quartz Sleeve Maintenance/Replacement Procedure.....	18
Troubleshooting Guide	21
Warranty	23

Product Information	
Distributor:	
Installer:	
Phone:	
Date Installed:	

Puretec Customer Service

Thank you for purchasing a Puretec Hybrid Series Whole House UV Water Treatment System. Your system is a proven performer manufactured from quality materials and components and will give years of 'spring like' water, free of impurities, if maintained and installed properly (refer installation requirements p.6).

Puretec Hybrid UV systems are designed for common rainwater. The effectiveness of a UV system is dependent on the clarity of water present. If you are unsure of the clarity of your water Puretec can arrange a UVT test to verify that no further filtration is required before the UV. Contact Puretec on 1300 140 140 (AU) or 0800 130 140 (NZ) for further information on this.

Introduction

Puretec Hybrid Series is specifically designed to kill harmful bacteria in untreated water supplies. It uses a natural purification process that's eco-friendly and chemical-free. It includes pre-filtration to ensure that particulate matter does not shield micro-organisms from the UV light.

This system will effectively treat water, depending on the required UV dosage and existing water quality.

The system is designed for mains and rainwater supply but can be used in other situations. For other types of water supply please contact your local Puretec stockist or call our Puretec Customer Service Helpline on 1300 140 140 (Australia) or 0800 130 140 (New Zealand).

The Puretec Hybrid system cartridges and lamp need replacing regularly to maintain optimum performance. This is a simple procedure when following instructions. For replacements contact your nearest Puretec stockist.

Your new Hybrid system incorporates a failure warning feature that warns you of a lamp failure by:

1. An LED warning light
2. An audible alarm

In addition, when the alarm "beeps" on and off, the lamp is due to be changed so effective treatment is maintained. A Green LED indicates that the system is operating correctly.

Preparing Your System

Puretec systems are designed to run economically for many years, dependent on the initial installation and periodical maintenance.

Please read all instructions carefully as failures caused by incorrect installation or operation are not covered by warranty.

On removing your Hybrid system from its carton you should check all the components (especially the lamp), to ensure all are present and have not been damaged in transportation. Depending on your model, you should have:

1. Hybrid Filter System (with double or triple filtration and with or without cover)
2. UV Lamp (in cardboard tube)
3. Bag containing Spanner, User Guide, Spring and Surge Protector
4. Ballast (Hybrid G Models come with Ballast pre-installed)



POWER CORD



UV LAMP



SPANNER



SPRING



SURGE
PROTECTOR



USER GUIDE



HYBRID FILTER SYSTEM

Hybrid R models will also include a separately packaged:



BALLAST



BALLAST FASTENERS

Remove all the packing materials prior to use.

As a responsible manufacturer we care about the environment. We urge you to follow the correct disposal procedure for your product and packaging materials. You must dispose of this product and its packaging according to local laws and regulations.

Positioning Your System

Choose a location with a structurally appropriate mounting position. Allow a chamber length space above the unit for removal of the lamp and sleeve from the Radfire UV system during servicing and 120 mm below the housings for replacing the cartridges and maintenance.

An isolation valve may be installed prior to the Hybrid system to isolate the unit for changing the cartridges, lamps and sleeve.

To protect your Hybrid system make sure the site is frost free and has adequate ventilation. Choose a location with adequate drainage and where water spillage will not cause damage that may occur over time from leaking pipe joints or seals.

Power Surge Protection

An electrical power surge or spike can travel on the supply lines and cause serious damage to your electrical equipment. The Radfire UV Electronic ballast has a fuse (non-replaceable) to protect the circuit. The fuse is not a lightning arrester and may not protect the Radfire if lightning or a very powerful surge hits the unit.

A suitable surge protection device has been provided with this product. Puretec recommends the use of a surge protector (the one supplied or otherwise) or warranty may be voided.

WARNING: The Arlec power surge protector that is provided is not weatherproof & MUST be protected from water/moisture.

It would usually be sufficient for the surge protector to be installed under the eaves of a house and/or out of the weather, otherwise, it would need to be suitably protected. Ensuring the surge protector is suitably protected from water/moisture is the responsibility of the user. Alternatively a hard-wired outdoor surge protector may be installed by a qualified electrician or an outdoor rated surge protector may also be used.

Reorder code for surge protectors: PC-SURGE

Do not use long extension leads as they may cause substantial voltage drop and/or poor lamp performance.

We recommend the use of an RCD or earth leakage circuit breaker on the power supply to your unit.

Installation Requirements

- Hybrid R models are intended for indoor installation (must be protected from weather, frost, water and have adequate ventilation).
- All Puretec Hybrid models should be protected from harsh environments where overexposure to salt or aggressive chemicals can occur.
- Cold water line only.
- Power supply: AC 240V | 50Hz
- Supply pressure: 300-875* kPa.

*Where line pressure exceeds 500 kPa, an approved pressure limiting device must be installed to comply with Australian & New Zealand Plumbing Standards. (Ref. AS/NZS 3500.1:2021, Clause 3.3.4).

- **Note: For point of entry installations an approved dual check backflow prevention device must be installed.**
- Supply temperature 0 - 52 °C (protect from freezing).
- Alternative fittings may be required if being connected to anything other than 25 mm threads.

Note: Only use thread seal tape. Do not use liquid sealant.

- Ensure the water supply flow rate does not exceed the rated maximum of the Hybrid system.
- Ensure the electrical power supply to the Hybrid system is sufficient, allowing for other appliances that may be connected to the circuit e.g. pump, and ensuring it is surge protected, and protected against brown-outs. If in doubt, please consult a qualified electrician.
- Use unions at pipe connections to enable easy removal and servicing. Use sufficient tape to ensure airtight seal and do not over tighten. To prevent strain on the unit always support heavy inlet and outlet pipes.
- Where the water being treated contains unusually high levels of dissolved solids particularly hard water, iron, manganese or biological organisms, a deposit build up on the quartz sleeve may occur over time. Maximum recommended parameters are as follows:

Iron:	less than 0.3 mg/L
Hydrogen Sulfide:	less than 0.05 mg/L
Suspended Solids:	less than 10mg/L
Manganese:	less than 0.05 mg/L
Hardness:	less than 110mg/L

Application warning: minimum water characteristics must be met before installation of Radfire™ to ensure proper operation and continuous protection.

- If stated water quality parameters are exceeded; pre-filtration is required as water of this quality can compromise the effectiveness of the UV system. The filters and the sleeve should be cleaned or replaced as required to keep them in good condition.
- If bacteria has been present prior to the installation of this system, we recommend flushing the pipelines with Puretec TankSafe.
- Never connect PVC pipe directly to the unit. **The outlet pipework within 1 metre should be metal or polyethylene.**
- The system should not be used for any other purpose without specific referral to Puretec.
- Heating of water is an integral feature associated with UV systems and if this is deemed a problem we recommend installing a temperature management valve, which is installed inline immediately after the system and releases water periodically. Ordering code is **RI-TMS4**.

Note: This water filtering appliance should only be installed by a fully qualified & licenced plumber.

Installation Note: A water filter system/tap, like any product, has a limited life and may eventually fail. Also sometimes failure happens early due to unforeseen circumstances. To avoid possible property damage, this product should be regularly examined for leakage and/or deterioration and replaced when necessary. A drain pan, plumbed to an appropriate drain or outfitted with a leak detector, should be used in those applications where any leakage could cause property damage, and/or the water supply should be turned off if no one is home/present.

**INSTALLATION SHOULD BE COMPLETED BY QUALIFIED TRADESPEOPLE.
FAULTY OPERATION DUE TO UNQUALIFIED PERSONS WILL RESULT IN VOIDED
WARRANTY COVERAGE.**

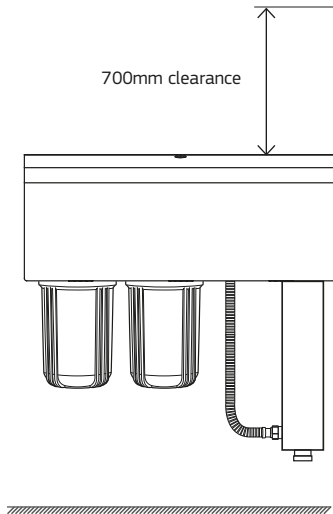
Initial Installation Procedure

The Puretec Hybrid Series has 1" [25mm] plumbing connections.

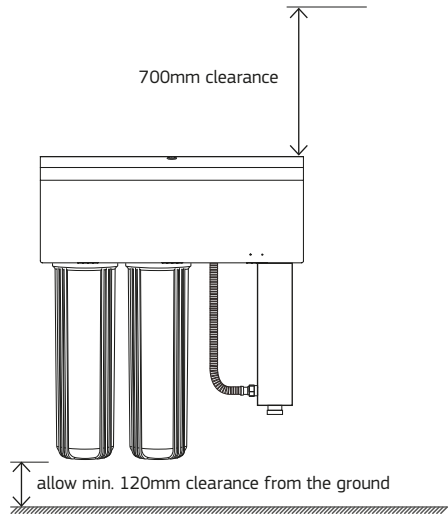
1. Before attempting installation check the unit to ensure the quartz sleeve is intact within the Radfire UV Unit.
2. Locate a suitable position for the Hybrid system remembering to allow 120mm under units with 20" housings and 700mm clearance above the unit for cartridge and lamp changes. A power outlet is required.

Fig. 1

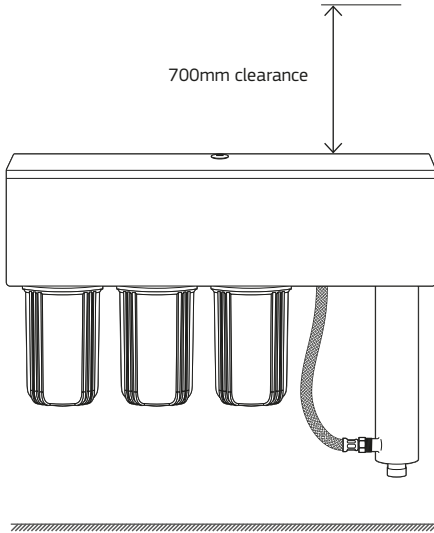
HYBRID G6 / G8 MODEL



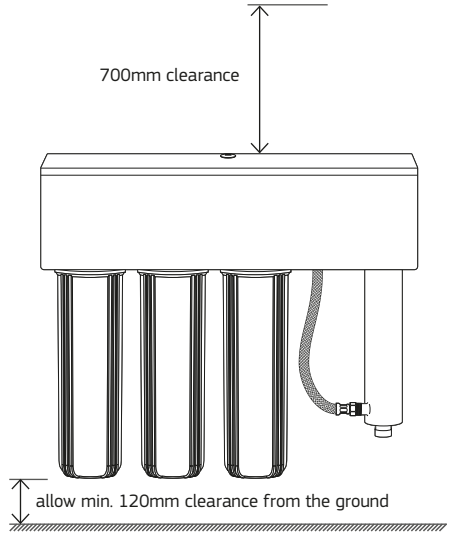
HYBRID G7 / G9 MODEL



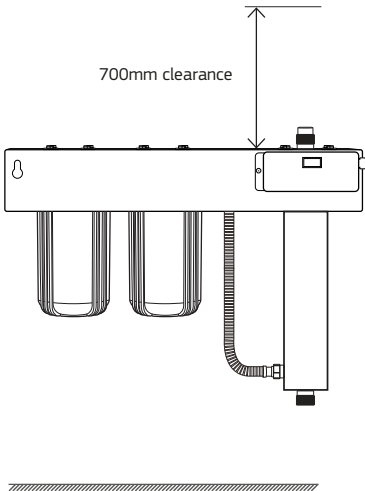
HYBRID G12 MODEL



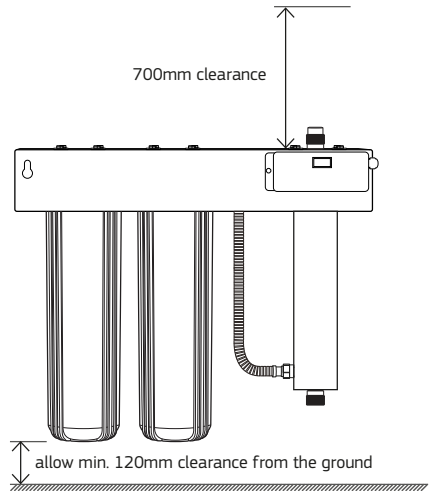
HYBRID G13 MODEL



HYBRID R1 / R3 MODEL

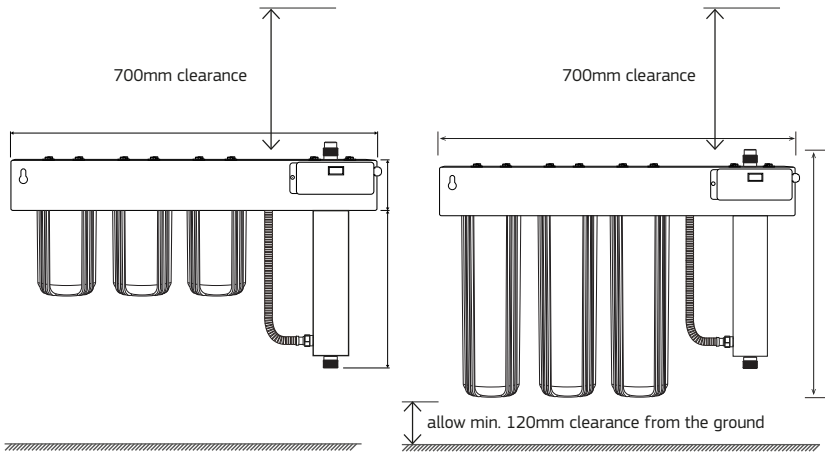


HYBRID R2 / R4 MODEL



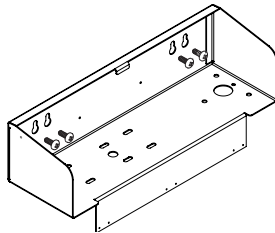
HYBRID R10 MODEL

HYBRID R11 MODEL

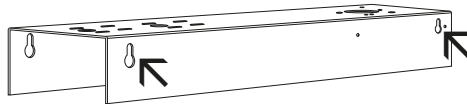


- Hybrid G units have 4 mounting key holes at the rear of the bracket. Use the template provided to mark the desired position on the wall where the fixings are required to go.

Fig. 2



Hybrid R units have 4 mounting provisions – 2 key holes at the front and rear of the bracket. Use the template provided to mark the desired position on the wall where the fixings are required to go.



- Drill the holes and install the anchors (fixing anchors not included).
- Position the Hybrid.

Hybrid G: Position on the wall and tighten the fixings to hold the system securely to the wall.

Hybrid R: Position on the wall. Insert and tighten the fixings to hold the system securely to the wall. This unit can be installed from left to right or right to left depending on the water supplies point of entry.

Note: The outlet is always on the UV side of the system.

6. Turn the water off and purge the lines.
7. Plumb inlet and outlet pipe work to the Hybrid unit. The inlet is a 25 mm female and the outlet is a 25 mm male.

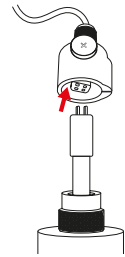


Fig. 3

Note: Use thread seal tape, do not use liquid sealants. Never connect PVC pipe directly to the unit. The outlet pipe work within 1 metre should be metal or polyethylene.

8. If you have a Hybrid G model, open the cover. If you have a Hybrid R model, proceed to step 9.
9. Remove the lamp connector from the top nut, if the nut is inadvertently loosened during this process, retighten the nut. Insert the spring into the chamber by dropping it into the chamber. Slowly insert UV lamp into chamber through the hole of the aluminium nut end. Connect the lamp connector to the pins on the lamp. Do not let go of the lamp until the lamp is connected to the socket (see Fig. 7).

Never touch the quartz (glass) and lamp surface as marks or fingerprints may interfere with UV transmission. If lamp is soiled, please clean lamp with an alcohol based cleaner.

10. Put safety cap on the aluminium nut end. Connect the ground wire to the chamber as shown in Fig 4. Plug in power connector.
11. Check each housing bowl and ensure they have not become loose in transport. Tighten the bowls until firm. **HAND TIGHTEN ONLY. DO NOT OVER TIGHTEN.**
12. Turn the water on, let the water flow through – opening a tap downstream to flush the unit for 1-2 minutes. Then check the system thoroughly for leaks.

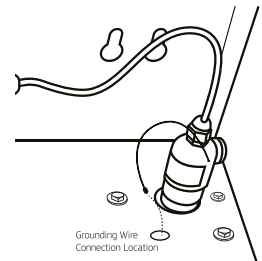


Fig. 4

Note: For initial use, wait 3-5 minutes to allow water to pass through the whole unit. Turn on a downstream tap to let water flow through the unit for 2-3 minutes to release air and impurities from the system.

13. Turn the power on and ensure that the lamp is operating. Make sure that the GREEN LED is illuminated (refer Lamp Replacement Procedure on pg.14).
14. If you have a Hybrid G model, close and lock the lid. Note: Your cabinet comes with a key for your convenience. Please store it safely as lost or misplaced keys are not covered by warranty.

Operation

- Allow two minutes for the UV lamp to reach full intensity before starting water flow.
- On a new installation where no other form of sterilisation has been in use, we recommend flushing the pipe work with a suitable sanitiser such as TankSafe (for dosage refer to TankSafe product instructions). This solution should be left in the pipework for at least an hour and preferably overnight.

The sanitising solution can be added into the water tank or if necessary added as a shock dose into the bowl of the filter housing of the Hybrid and slowly flushed through the piping. If added as a shock dose the system and pipework should be rinsed thoroughly by opening a downstream tap.

Radfire UV Unit

- Prior to performing any work on the UV steriliser system, always disconnect the power supply.

Warning: Do not look directly into ultraviolet rays emitted from the UV lamp as they will cause serious burns to unprotected eyes.

- The treated water will seem warm for a short period at first flow. This is because the UV lamp emits heat to kill bacteria. When turning on a tap, let the water run for a short time to purge any warm water.

Radfire UV Unit Operation

Press the mode button to cycle the display between lamp life remaining and total running days.

Press and hold the silver button for 15 seconds to reset lamp life timer or until 'reset' appears on the screen.

To silence the 'lamp life end' alarm for 7 days, press and hold on the silver button until 'delay' appears on the screen.

Radfire UV Unit Specifications

AC 240V | 50Hz

Lamp Power: 35W~95W

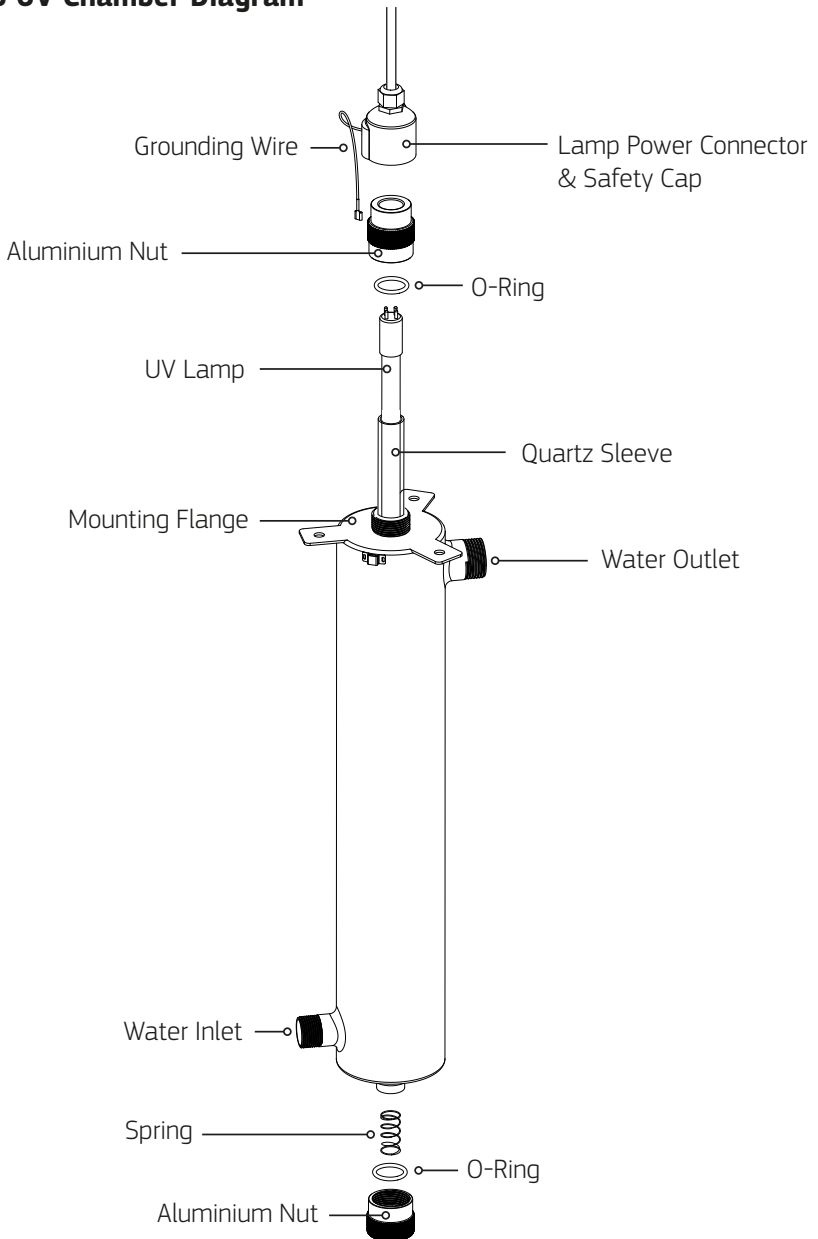
Lamp Current: 0.8A~0.9A

Ambient Temperature: 4~40°C

Lamp Rated Life: 365 days

Caution: Ground the ballast casing to avoid possible high voltage shock hazard

Fig. 5 UV Chamber Diagram



Replacement Parts Guide

To maintain a high quality of purified water, the cartridges will need changing periodically (dependent on water quality and usage).

You can obtain replacement cartridges from your local Puretec dealer. To maintain performance, warranty and Australian Standards use genuine Puretec replacements.

Replacement Parts:	Stage 1 Cartridge*	Stage 2 Cartridge	Stage 3 Cartridge	UV Lamp	Quartz Sleeve
HYBRID G6/R1	PL05MP1	DP10MP1	N/A	RL6	RQ56
HYBRID G7/R2	PL05MP2	DP10MP2	N/A	RL6	RQ56
HYBRID G8/R3	PL20MP1	PX01MP1	N/A	RL6	RQ56
HYBRID G9/R4	PL20MP2	PX01MP2	N/A	RL6	RQ56
HYBRID G12/R10	PL05MP1	CB05MP1	PX01MP1	RL6	RQ56
HYBRID G13/R11	PL05MP2	CB05MP2	PX01MP2	RL6	RQ56

Replace cartridges every 6 months. UV Lamps must be replaced annually in order to maintain 99.9% kill rate of bacteria.

**Stage 1 Cartridge is nearest to the water inlet.*

Cartridge Replacement Procedure

To change the filter cartridges please adhere to the following procedure:

- 1 Turn water supply off and relieve pressure by opening a downstream tap or pressing the red pressure relief button on the housings.
- 2 Unscrew the filter bowls. If the bowl is difficult to undo, the spanner provided may be used to make it easier. Remove old cartridges and dispose in the correct manner.
- 3 Clean bowls with soap and warm water and rinse thoroughly. Check O-Rings for damage and replace if necessary.
- 4 Check O-Ring lubrication and if necessary apply a light coating of food grade silicone lubricant (or similar).
- 5 Remove all packaging from new filter cartridges and insert into housing bowls making sure cartridges are properly seated over the spigot in base of the bowls. Remember to record the model number of the cartridges you use & install date.
- 6 Hold bowls upright while screwing in the housings. Make certain that the spigot in the housing heads is located centrally to the cartridges to make a good seal. Tighten the bowls until firm. **HAND TIGHTEN ONLY. DO NOT OVER TIGHTEN.**
- 7 Open a downstream tap to allow air to be released and gently open water supply allowing all air to be purged.
- 8 Allow water to run for 1-2 minutes to flush the system.
- 9 Close down stream tap and check the Hybrid system for leaks. Flush system for 1-2 minutes after any period of non-use more than 2 weeks. For a period of non-use of 6 months or more, it may be necessary to replace the cartridges.

Lamp Replacement Procedure

Prior to performing any work on the UV steriliser, always disconnect the power supply first.

- 1 Turn water off and release the water pressure.



Parts become hot during operation.
Allow to cool before servicing.

- 2 Unlock and open the cover if you have a Hybrid G model. Disconnect the lamp connector and ground wire. Grip the end of the lamp and carefully disconnect the power socket.

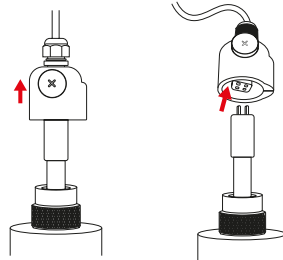


Fig. 6

Slowly remove the old lamp from the chamber.

- 3 Remove the packaging on the new lamp. Slowly insert into chamber through the hole of the aluminium nut end. Connect the lamp connector to the pins on the lamp. Do not let go of the lamp until the lamp is connected to the socket (*see Fig. 6*).

Never touch the quartz (glass) and lamp surface as marks or fingerprints may interfere with UV transmission. If lamp is soiled, please clean lamp with an alcohol based cleaner.

- 4 Secure the lamp connector on the aluminium nut end. Connect the ground wire to the chamber. Plug in power connector, the RED LED will be illuminated (when the lamp life timer is reset in step 6 the LED will turn green).
- 5 Restore water supply and check the unit for leaks. Re-check the unit after 1 hour.

Note: For initial use, wait 3-5 minutes to allow water to pass through the whole unit. Turn on a downstream tap to let water flow through the unit for 2-3 minutes to release air and impurities from system.

- 6 Press and hold the silver button for 15 seconds, when an audible "beep" will sound, indicating that the lamp life timer has been reset for a further 12 months.
7. If you have the Hybrid G model, close and lock the lid. Note: Your cabinet comes with a key for your convenience. Please store it safely.

Note: Lost or misplaced keys are not covered by warranty.

We recommend replacing UV lamp annually to ensure high sterilising rate with best water quality.

Always keep UV lamp on, as power fluctuation will shorten the service life of the UV lamp.

Quartz Sleeve Maintenance/Replacement Procedure

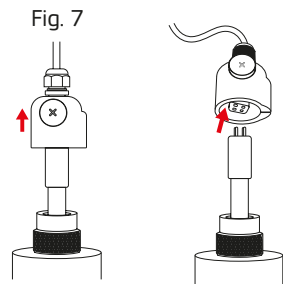
To ensure high sterilising rate with best water quality, check sleeve regularly (about every 3 months depending on quality of water source) and see whether there is dirt or substances gathered. Allow the unit to cool before servicing. Prior to performing any work on the UV sterilizer, always disconnect the power supply.

1. Turn off the power and water to the unit and release the water pressure (using the red buttons above the unit's filters).



Parts become hot during operation.
Allow to cool before servicing.

2. Unlock and open the cover if you have a Hybrid G. To disconnect the Lamp Connector, detach the earthing wire, grip the white Cap and carefully disconnect from the Aluminium Nut.

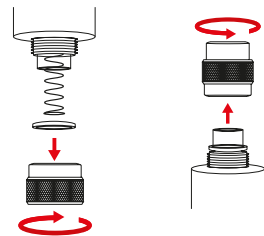


3. Slowly remove the UV Lamp from the chamber.

4. Unscrew and remove the Aluminium Nut on the top of the chamber. Now remove the Aluminium Nut from the bottom of the Stainless Steel Chamber, securing the Spring and Quartz Sleeve.

Important: Be aware that the water within in the chamber will be discharged through the bottom of the Stainless Steel Chamber once the bottom Aluminium Nut is removed.

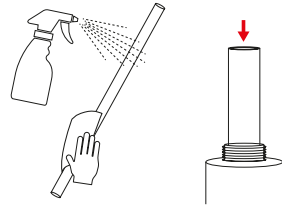
Important: The Quartz Sleeve may come through the base of the chamber after the bottom Aluminium Nut is removed, hold the bottom of the Quartz Sleeve and remove the bottom O-Ring.



cont. over page.

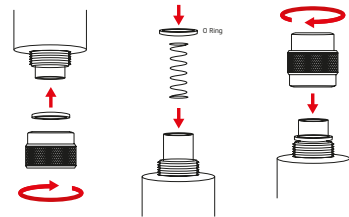
cont.

5. Slide the Quartz Sleeve through and out of the top of the chamber.
6. Clean the Quartz Sleeve with an alcohol based cleaner if necessary.



7. Slide the Quartz Sleeve into the top of the chamber and carefully slide down through the bottom opening. Place the bottom O-Ring on the Quartz Sleeve and screw the bottom Aluminium Nut on to the chamber while still holding the sleeve from the top. Gently tap the sleeve to ensure that it's sitting firmly on the bottom Aluminium Nut.

Fig. 8



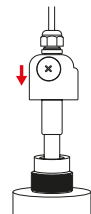
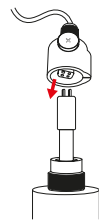
8. Place the top O-Ring on the sleeve, insert the spring (allowing it to slide to the bottom of the quartz sleeve) and screw on the top nut.

Fig. 9

9. Slowly insert UV lamp into chamber through the hole of the Aluminium Nut at the top of the chamber. Connect the lamp connector to the pins on the White Lamp Socket. Do not let go of the lamp until the lamp is securely connected to the socket.

Never touch the quartz (glass) and lamp surface as marks or fingerprints may interfere with UV transmission. If lamp is soiled, please clean lamp with an alcohol based cleaner.

10. Put lamp connector on the Aluminium Nut end. Connect the ground wire to the chamber. Plug in the ballast power connector. The RED LED will be illuminated (when the lamp life timer is reset in step 12 the LED will turn green).



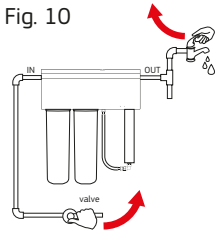
cont. over page.

cont

11. Restore water supply and check unit for leaks. Check the unit again after 1 hour.

Note: For initial use, wait 3-5 minutes to allow water to pass through the whole unit. Turn on a downstream tap to let the water flow through the unit for 2-3 minutes to release any air and impurities from system.

Fig. 10



12. If you have a Hybrid G model, close and lock the lid. Your cabinet comes with a key for your convenience. Please store it safely.

Note: Lost or misplaced keys are not covered by warranty.

SYMPTOMS	POSSIBLE CAUSE	POSSIBLE SOLUTION
No power.	<ul style="list-style-type: none"> • Ballast and/or breaker tripped. • Ballast damaged. 	<ul style="list-style-type: none"> • Reset ballast and/or breaker. • Replace ballast.
Ballast or breaker repeatedly trips.	<ul style="list-style-type: none"> • Connection between lamp and lamp plug is wet. • Short-circuit in the electrical assembly. 	<ul style="list-style-type: none"> • Clean and dry lamp pins and lamp plug, check unit for leaks or condensation. • Replace ballast.
Leak at inlet or outlet.	<ul style="list-style-type: none"> • Threaded pipe fittings are leaking. • Cracked heads. 	<ul style="list-style-type: none"> • Clean threads, reseal with Teflon tape and retighten. • Replace heads.
Leak detected from area of UV chamber.	<ul style="list-style-type: none"> • Condensation of moist air on cold chamber (slow accumulation). • O-ring damaged, deteriorated or incorrectly installed. • Lamp/sleeve assembly not properly installed (too tight or not tight enough). 	<ul style="list-style-type: none"> • Control humidity or relocate unit. • Inspect and replace if deteriorated. • Check O-rings are in place. • Tighten assembly hand-tight.
System is operating but water tests reveal bacterial contamination.	<ul style="list-style-type: none"> • Equipment downstream of UV system is acting as a breeding ground for pathogens. • Pathogens are residing in the distribution lines post-UV. • Lamp reached the maximum lamp life. 	<ul style="list-style-type: none"> • Ensure UV is the last piece of treatment equipment. Ensure all distribution lines have been disinfected - see page 12. • Remove any pipe dead-ends and flush with chlorine. • Replace lamp on or before lamp counter reached 0.

cont. over page.

Lamp timer does not read anything.	<ul style="list-style-type: none"> • Unit is unplugged. • No power at AC power outlet. • Power cord is damaged. • Power surge caused damage to electrical assembly. 	<ul style="list-style-type: none"> • Plug unit into AC power outlet. • Replace fuse or reset breaker. • Replace power cord. • Replace ballast.
Leak detected at filters.	<ul style="list-style-type: none"> • O-ring damaged, deteriorated or incorrectly installed. • O-rings dry. • Filter cartridge not centered. 	<ul style="list-style-type: none"> • Remove the sump, wipe the O-ring and threads clean. Ensure the O-ring is fitted properly, then reinstall. • Lubricate O-rings with suitable sealant. • Remove sump, check for cartridge damage, re-assemble ensuring cartridge is centered.
Red lamp blinks and buzzer sounds.	<ul style="list-style-type: none"> • Lamp has reached or nearing the maximum lamp life. • Lamp is disconnected or faulty. 	<ul style="list-style-type: none"> • Replace lamp on or before lamp counter reached 0. • Check lamp connection, replace if needed.
Display flashing.	<ul style="list-style-type: none"> • Power interruption. 	<ul style="list-style-type: none"> • Reset ballast.
Error Code 'A3' on ballast.	<ul style="list-style-type: none"> • Ballast countdown has reached 0, lamp life expired. 	<ul style="list-style-type: none"> • Replace lamp.

Warranty

Any claim under this warranty must be made within 3 years of the date of purchase of the product. This product is warranted to be free of defect of material and workmanship for 3 years from date of purchase. 3 year warranty is 1 parts and labour, plus 2 years parts only. Excludes cartridges.

Puretec is renowned for its quality and after-sales support so if you have any issues please call 1300 140 140 (AU) or 0800 130 140 (NZ). To make a warranty claim, contact us directly or the place of original purchase. All costs relating to a warranty claim must be approved by Puretec prior to any work being carried out.

Puretec will pay your reasonable, direct expenses of claiming under this warranty. You may submit details and proof of your expense claim to place of purchase for consideration.

The warranty only applies if the product was used and/or installed in accordance with the user guide and/or installation instructions. This warranty is given in lieu of all other express or implied warranties and manufacturer shall in no circumstance be held liable for damages consequential or otherwise or delays caused or faulty manufacturing except as excluded by law.

Applicable to all above, is that the warranties need to be approved by Puretec to ensure product was not incorrectly used, installed or claimed. False and incorrect claims will be pursued at Puretec's discretion, including chargeable inspection and labour costs incurred.

All installation and service work should be completed by qualified tradespeople. Faulty operation due to unqualified persons will result in voided warranty coverage.

Warranty/Australia

This warranty is given by Puretec Pty Ltd, ABN 44 164 806 688, 37-43 Brodie Road, Lonsdale SA 5160, telephone no. 1300 140 140 and email at sales@puretec.com.au.

This warranty is provided in addition to other rights and remedies you have under law: Our goods come with guarantees which cannot be excluded under the Australian Consumer Law. You are entitled to replacement or refund for a major failure and to compensation for other reasonably foreseeable loss or damage. You are also entitled to have the goods repaired or replaced if the goods fail to be of acceptable quality and the failure does not amount to a major failure.

Warranty/New Zealand

This warranty is given by Puretec Ltd, Reg. No 4464398, PO Box 875 Cambridge 3450 NZ, telephone no. 0800 130 140 and email at sales@puretec.co.nz.

This warranty is provided in addition to other rights and remedies you have under law: Our goods come with guarantees which cannot be excluded under the Consumer Guarantees Act. You are entitled to replacement or refund for a major failure and to compensation for other reasonably foreseeable loss or damage. You are also entitled to have the goods repaired or replaced if the goods fail to be of acceptable quality and the failure does not amount to a major failure.



AUSTRALIA

P 1300 140 140

E sales@puretec.com.au

W puretec.com.au

NEW ZEALAND

P 0800 130 140

E sales@puretec.co.nz

W puretec.co.nz